

Sealweld Virtual Valve Training

Valve 102 - Plug Valves: Advanced Troubleshooting

Sealweld and CR Wall are excited to offer this live and interactive training program designed to introduce and instruct operations personnel on the safe and effective method of servicing in-line valves. This training will not only help prolong valve life, but will also help ensure the safety, integrity and performance of your gas distribution system.

Instructed by Joe PirkI, Sealweld's Global Training & Technical Program Director, this two-session training course is ideal for DIMP, engineering, operations, construction, safety, training and compliance personnel.

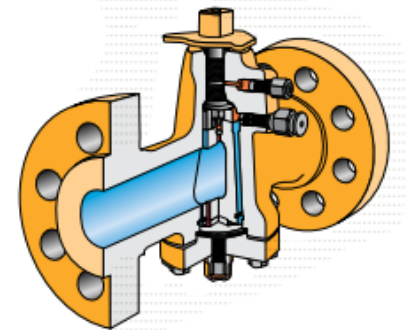
Course Overview

Day 1: Lubricated Plug Valve 102 Troubleshooting

- Introduction to Lubricated Plug Valves
- Understanding the two main functions of sealant
- How to Unseat the Plug
- Field Indicators: How do you know when it unseats?
- Troubleshooting: Rockwell/Nordstrom Hyperseal
 - o Bottom Entry; Dynamic Balance
 - o Flushes
 - o Cleaners
 - o Capacities
 - o Plug Adjustment
 - o Stem Packing

Day 2: Lubricated Plug Valve 102 Troubleshooting Continued

- Top Entry; 2 & 4 Bolt Bonnet Troubleshooting
- Using Common Adaptors & Injectable Products
 - o Leak Lock
 - o Injectable Products
- Q&A
- Review + Key Takeaways



When Day 1 - Nov 8, 2021: 10:30am – 2:30pm EST
Day 2 - Nov 9, 2021: 10:30am – 2:30pm EST

For information on pricing and registration, please contact your CR Wall Representative or send us an email at the address below.